

BulletPro *Made in Italy* ~



TC528IT Tyre Changer with Right Assisting Arm with Tubeless Inflation



Automatic tyre changer particularly suited to working on a large sized and large diameter wheels. The TC528IT is fitted standard with 4 innovative design locking jaws with a locking range from 10" to 28" for aluminium wheels and from 12" to 31" for steel rims

Professional and high quality tyre changer **made in Italy** capable of handling low profile tyres (EMT, RFT, CRS, DSST, PAX, etc.), hard, and large tyres with its tough and strong structure design of 2 locking air cylinders with 80 mm

diameter control the 4 self-centre jaws to avoid sudden release of the rim during operation of particularly hard tyres. The innovative design of 4 locking jaws fix range from 10"-28" for aluminium rims and 12"-31" for steel rims

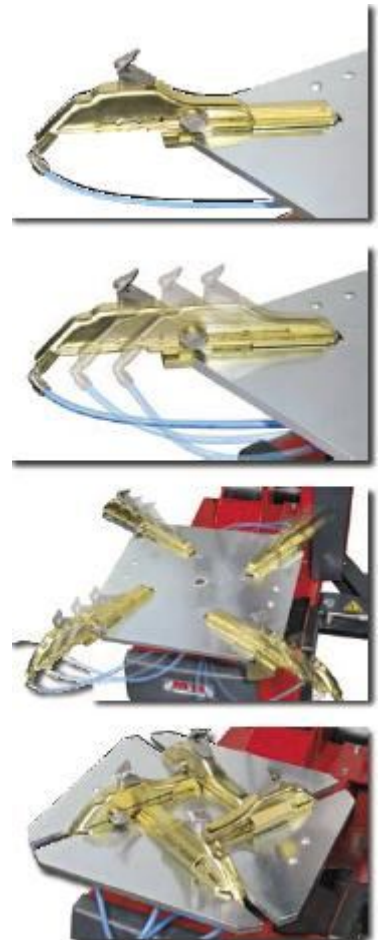
Spec:

Motor: 3 phase 415V 2 speed **Pneumatic Pressure:** 8-12 bar
Bead Breaking Force: 2500 kg **Wheel Width:** 3"-16"

Max Wheel Diameter: 1160 mm (46") **Net Weight:** 238 kg

Rim Diameter (locked internally): 12"-31"

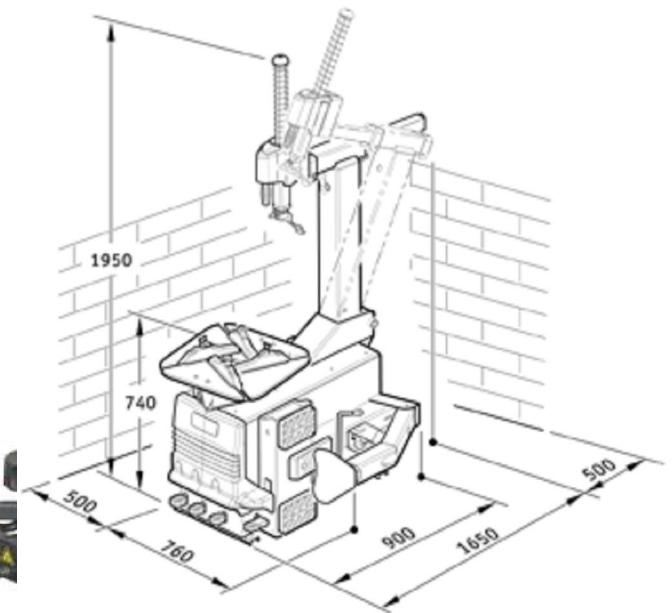
Rim Diameter (locked externally): 10"-28"



Fixed Arm Helper



The special shape and dimension of the column and Bead-Breaker are designed for working on large wheels (over 15" in width). The bead-breaker cylinder is double acting with internal nylon protection



The assisting arm with additional push device helps mounting and demounting during the 1st bead with design suitable for tyres and rims with large diameters and sizes