



POWERREX SL2900F 4 ton two post lift clear floor

Manufactured In Korea, the Powerrex SL2900F 2 Post vehicle hoist is a Wide Body Hoist with 4 Tonne Lift Capacity. The SL2900F will lift small passenger cars through to 4WD and light commercial vehicles.



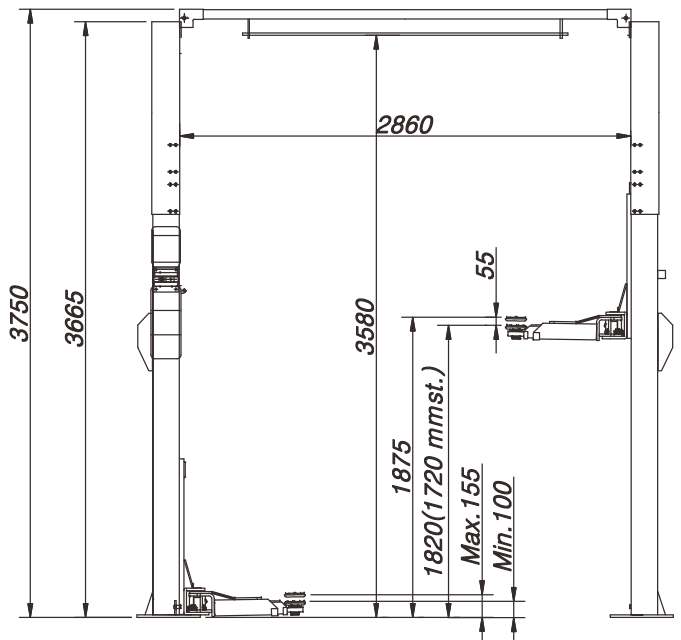
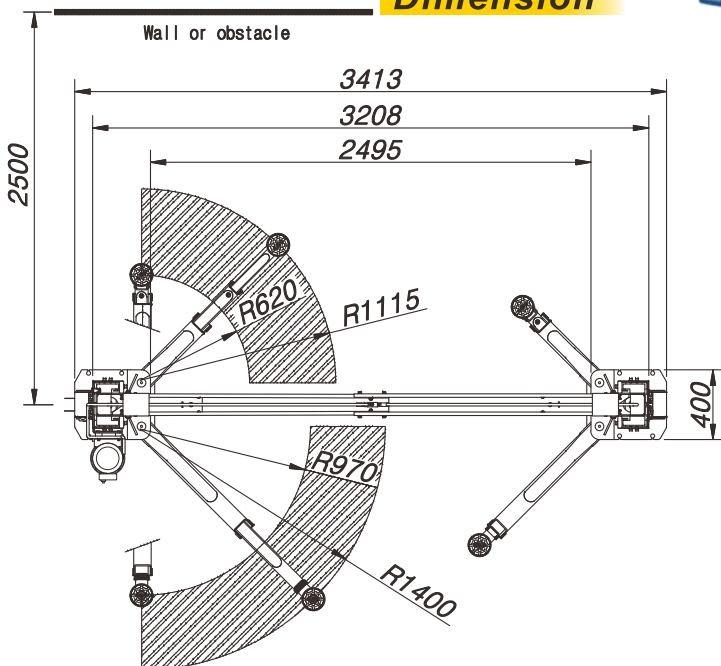
Feature

- Dual packing hydraulic cylinders for ultimate power & stability
- 3 different height adjustment of rubber supporting pad
- Dual wire structure makes perfect synchronization
- Automatic arm locking device
- Automatic Electrical Locking System
- Cable remote control included
- Direct Lowering button

Specification

Max(Capacity)	4,000kg
Max. Height	1,820mm~1,875 mm
Lowest Height	100~155 mm
Size(mm)	3,750(H)x2,860(L)x3,413(W)
Lifting Time (60Hz)	60 sec.
Lowering Time(60Hz)	48 sec.
Power & Motor	Optional Single 2.5HPx3Px220Vx60Hz
	Standard 3phase 2HPx5Px380Vx60Hz 2HPx4Px220Vx60Hz
Operation Method	Control panel and/or wired remote control type.

Dimension



INTEREQUIP
INTEREQUIP PTY LTD.

www.interequip.com.au
E-mail: info@interequip.com.au
TEL: Australia 18000EQUIP (1800 037 847)